

# PORTABLE WORKLIGHT

## 100-WL Series *Maximum 100 Watts Fluorescent*



Energy-saving illumination for task lighting. Vacuum-formed polycarbonate clear prismatic lens interior is engineered for maximum light control and diffusion; smooth exterior allows ease of cleaning; and rounded corners for additional impact strength and user safety. Housing is rigid one-piece construction, compression-molded fiberglass reinforced polyester. Continuous poured-in-place gasket completely fills the perimeter channel of the housing and snugly accepts lens flange for maximum seal integrity against moisture and dust. Oil/water-resistant 6' 18 AWG SJTOW black cord, three-prong NEMA 5-15 plug, and strain-relief cord fitting. Two 3 $\frac{1}{4}$ " magnets (rated pull strength of 90 lbs. each) for beam support and 3 $\frac{3}{4}$ " eyebolt, integral to the fixture, for overhead support by safety chain (not included). Water-resistant switch, zinc-plated steel handle with black non-conductive rubber coating.

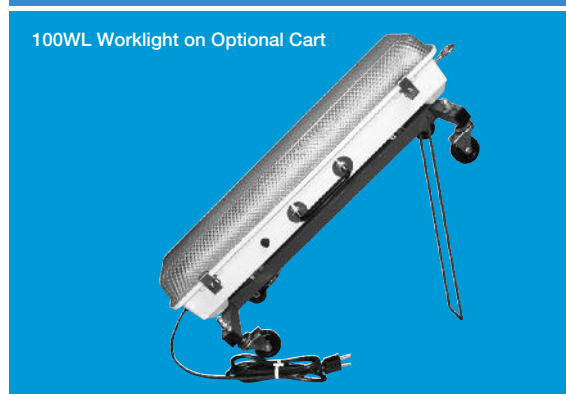


### Specifications

<b>Lens:</b>	Vacuum-formed polycarbonate. Prismatic lens interior engineered for maximum light control and diffusion; smooth exterior allows ease of cleaning; and rounded corners for additional strength and user safety. Edge is flanged to fit snugly into the gasketed retention channel for a continuous seal against moisture and dust.
<b>Housing:</b>	Rigid one-piece construction, compression-molded fiberglass reinforced polyester (self-extinguishing ASTM D635-74). Design and construction allows no flex during handling, thus reducing the possibility for damage.
<b>Gasket:</b>	Continuous poured-in-place completely fills the perimeter channel of the housing and snugly accepts lens flange for maximum seal integrity against moisture and dust. Gasket cannot separate, shift, or fall out.
<b>Lamps:</b>	Available with two 17-FLT8(EB) or two 40-PLL(EB)
<b>Ballast:</b>	17FLT8 start 0°F or 40PLL start 50°F. Electronic (EB).
<b>Hardware and Mounting Systems:</b>	Two 3 $\frac{1}{2}$ " magnets (rated 90 lbs. each) for beam support and 3 $\frac{3}{4}$ " eyebolt, integral to the fixture for overhead support by safety chain (not included). Water-resist switch, zinc-plated steel handle with black non-conductive rubber coating. Four stainless steel latches.



100WL Worklight showing Handle, Magnets, and eyebolt.



100WL Worklight on Optional Cart

<b>Cord, Plug, and Fittings:</b>	Six-foot black cord, 18 AWG SJTOW, 3-prong NEMA 5-15 plug. Liquid Tight Fitting exceeds NEMA 6 specifications. Operates on 120V AC.
----------------------------------	---

ETL-US and ETL-C Listed  
USDA Certified for Food Area Applications.  
NSF Certified for Non-Food Zone Applications.

The polycarbonate lens carries a flammability rating of 94HB or better.  
The self-extinguishing fiberglass housing has the superior SE-O rating.

## WF Harris Lighting

Innovative Lighting Designs Since 1970

P.O. Box 5023, Monroe, NC 28111-5023, USA  
(704) 283-7477 • (704) 283-6880 (FAX) • (800) 842-9345 (TOLL FREE)  
www.wfharrislighting.com • email: customerservice@wfharris.com

Printed in USA  
Form 1562 9/15

Luminaire Type \_\_\_\_\_  
Catalog Number \_\_\_\_\_  
Job Name \_\_\_\_\_  
Approval \_\_\_\_\_

*"A Live Operator Company Standing Ready to Serve Your Lighting Needs"*

# PORTABLE WORKLIGHT

Ordering Information (Fill In Blocks For Complete Catalog Number)



**Model**

100-WL-2-17-FLT8(EB)  
100-WL-2-40-PLL(EB)

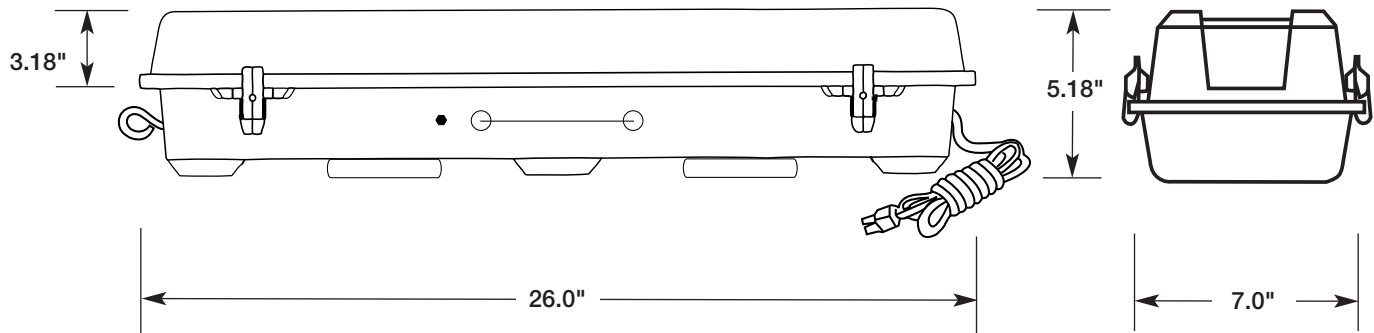
**Option**

CT-WL- Worklight Cart with oil-resistant casters rated for 75lbs each load. Constructed of 13 gauge steel and painted with red enamel. Equipped with 45° tilt prop for side light positioning. Hardware provided. Simple assembly required. Dimensions: 22"L x 12<sup>5</sup>/<sub>8</sub>"W x 3<sup>5</sup>/<sub>8</sub>"D. Shipping weight: 9<sup>3</sup>/<sub>4</sub> lbs.

## Dimensions

External Side View (Model 100WL)

External End View



Specifications Subject to Change Without Notice

**WF Harris Lighting**

Innovative Lighting Designs Since 1970

P.O. Box 5023, Monroe, NC 28111-5023, USA  
(704) 283-7477 • (704) 283-6880 (FAX) • (800) 842-9345 (TOLL FREE)  
www.wfharrislighting.com • e-mail: customerservice@wfharris.com

MADE IN  USA

Printed in USA  
Form 1562 9/15